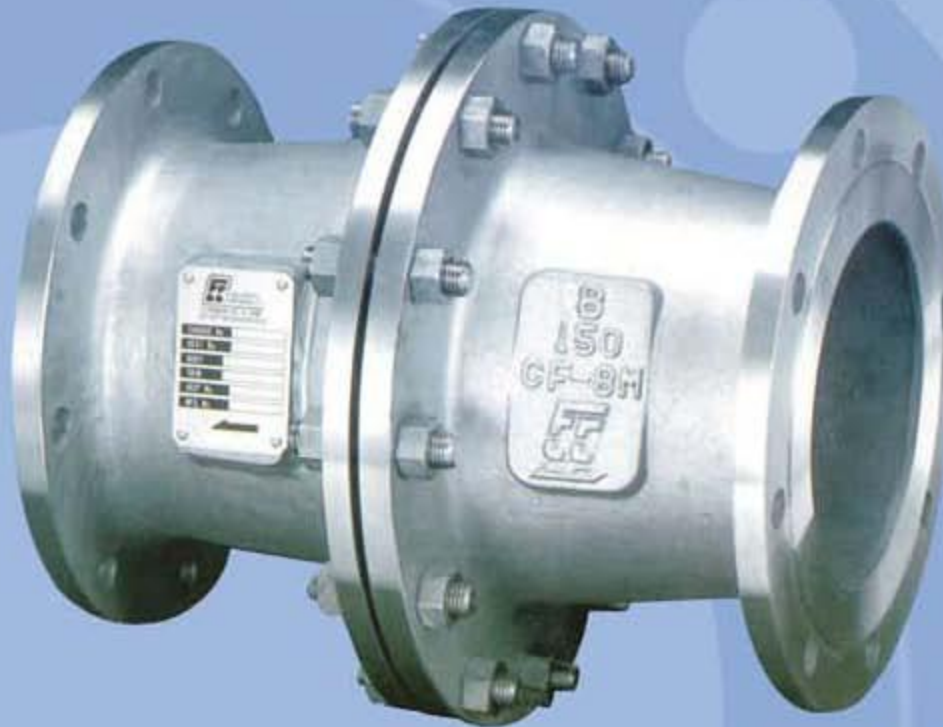


STAINLESS STEEL TILTING DISK CHECK VALVES

FIG. 40, ALL CAST S.S. CONSTRUCTION



Design Features

- Cast in corrosion resistant stainless steel. 2 1/2" thru 24".
- Precision machined tilting disk and seat for tight shut-off in reverse flow direction.
- Designed with off center pivot to avoid the tendency of the disk to slam on the seat and to aid the operation at low pressure differentials.
- Blow out proof gaskets.
- Can be installed in both the horizontal or vertical positions provided fluid flow is upward.
- 150 PSI Maximum working pressure.
- Rugged construction
- Ranges match ASME B 16.5-150 lbs. standard. Serrated gasket faces.

*Designed to handle corrosive fluids
in the process industries*

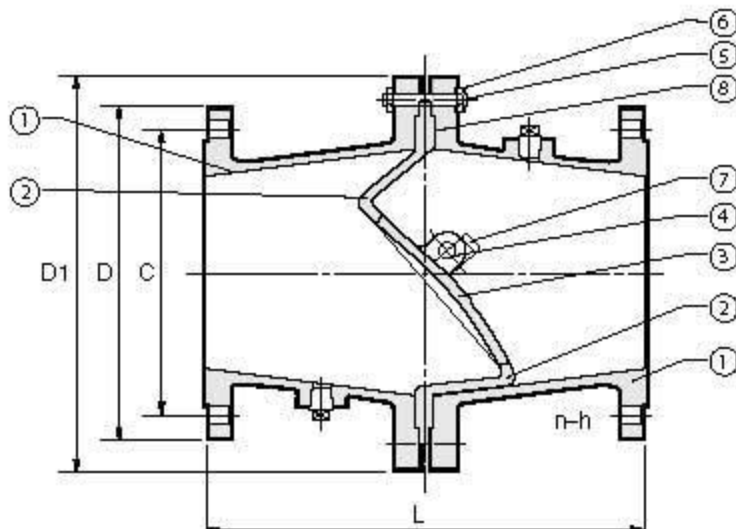


AMERITEK Industrial Corp.

Tel: 305-663-4448 Fax: 305-663-4458
sales@ameritek.net www.ameritek.net

STAINLESS STEEL TILTING DISC CHECK VALVES

FIG 40A-CF8 (304 SS)
 FIG 40B-CF8M (316 SS)
 FIG 40L-CG8M (317 SS)
 FIG 40SMO-CK3MOUN



Item	Part	40A	40B	40L	40SMO
1	Body	CF8	CF8M	CG8M	6-MOLY
2	Seat	CF8	CF8M	CG8M	6-MOLY
3	Disc	CF8	CF8M	CG8M	6-MOLY
4	H. Pin	CF8	CF8M	CG8M	254SMO
5	Bolts	← AISI 304 →			
6	Nuts	← AISI 304 →			
7	Stopper	CF8	CF8M	CG8M	6-MOLY
8	Gasket	← NON-ASBESTOS →			

♦ Also available in special alloys such as CN7m (Alloy 20), Duplex SS, Hastelloy on request.

DIMENSIONS - INCHES												
	2 1/2	3	4	6	8	10	12	14	16	18	20	24
L	8 1/2	9 1/2	11	14	18	21 3/4	25 1/4	28	30	31	32 1/2	34
D	7	7 1/2	9	11	13 1/2	16	19	21	23 1/2	25	27 1/2	32
C	5 1/2	6	7 1/2	9 1/2	11 3/4	14 1/4	17	18 3/4	21 1/4	22 3/4	25	29 1/2
n	4	4	8	8	8	12	12	12	16	16	20	20
h	3/4	3/4	3/4	7/8	7/8	1	1	1 1/8	1 1/8	1 1/4	1 1/4	1 3/8
D1	7 7/8	9 3/4	11 1/2	13 1/2	16	19	21 3/4	25	28	29 1/2	32 3/4	38 3/4
Wt. lb.	33	50	62	100	168	255	350	473	627	715	900	1320

DIMENSIONS - MILLIMETERS												
	65	75	100	150	200	250	300	350	400	450	500	600
L	216	241	292	356	457	552	641	711	762	787	825	864
D	178	190	229	279	343	406	483	533	597	635	698	813
C	140	152	190	241	298	362	432	476	540	578	635	749
n	4	4	8	8	8	12	12	12	16	16	20	20
h	19	19	19	22	22	25	25	28	28	32	32	35
D1	200	248	292	343	406	483	552	635	711	749	832	984
Wt kgs	15	22	26	45	75	116	160	215	285	325	410	600